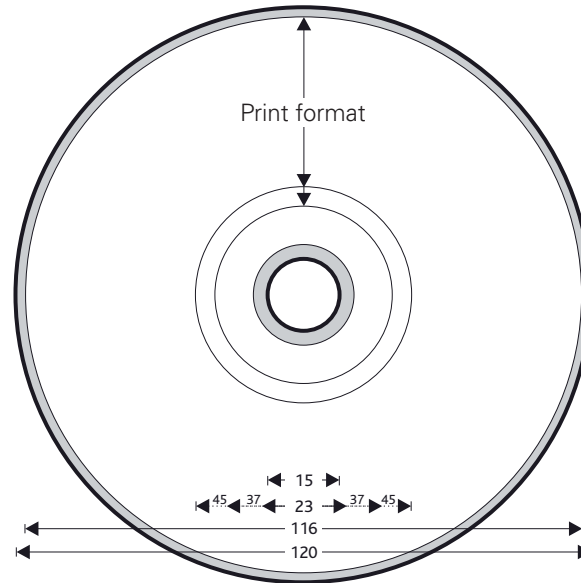


## SACD™ PRINT SPECIFICATION 11: Silk-Screening Printing, Lael 12 cm

**Print format:**

Outside diameter: 116 mm

Inside diameter: 45 mm

A preprinted white font is necessary if printing up to the 37mm or 23 mm diameter. The then printed area is slightly distinguishable from the other area, as there is no longer metallisation for a print less than 45mm.

**Trapping:**

For image and line elements, trapping of approx. 0.15 mm is necessary to compensate for register tolerance.

**Gradation:**

Smooth gradation is not possible with silk-screen printing (use dry offset).

**Colours:**

1-6 colours (standard process colours / PANTONE special colours)

If a metallic effect in which reproduction of the image is not desired, a white background surface must be preprinted.

**Printing sequence:**

Special colours if desired, standard process colours C M Y K.

**Text sizes:**

Positive: min. 5 point (line weight min. 0.10 mm)

Negative: min. 6 point (line weight min. 0.15 mm)