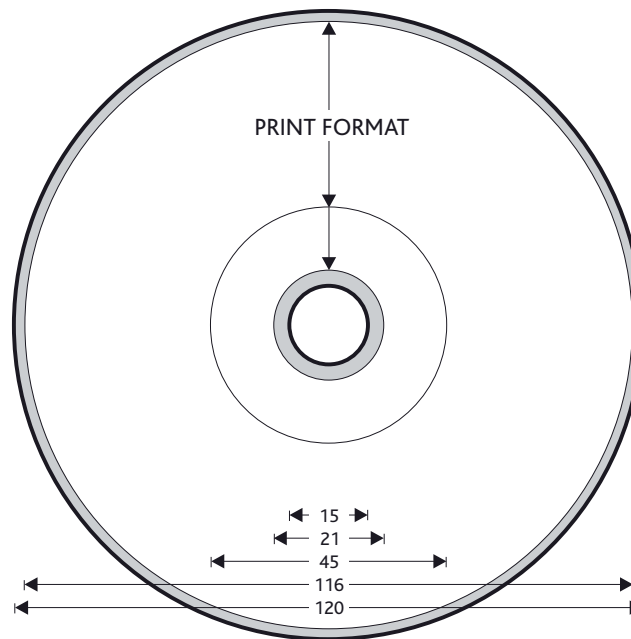


DVD™ PRINT SPECIFICATION

12: Offset Printing, Label 12 cm, single sided (DVD 5&DVD9)



Print format:

Outside diameter: 116 mm

Inside diameter: 21 mm or 45 mm (to avoid a double appearance due to mirroring, or a metallic effect on reproduction, preprinting with a white background area is always recommended).

Trapping:

For image and line elements, trapping of approx. 0.15 mm is necessary.

Text and line:

For exclusive representation of text and line elements, special colours according to

Elements:

the PANTONE are to be used with the silk-screen printing process (no C M Y K representation).

Colours:

4-6 colours (4 standard process colours and 2 PANTONE special colours) If a metallic effect in which reproduction of the image is not desired, a white background surface must be preprinted.

Printing sequence:

1st colour = silk-screen

2nd - 5th colours = dry offset (standard process colours C M Y K).

6th colour = silk-screen (if required) or varnish

Text sizes:

Positive: min. 4,5 point (line weight min. 0.08 mm)

Negative: min. 5 point (line weight min. 0.10 mm)