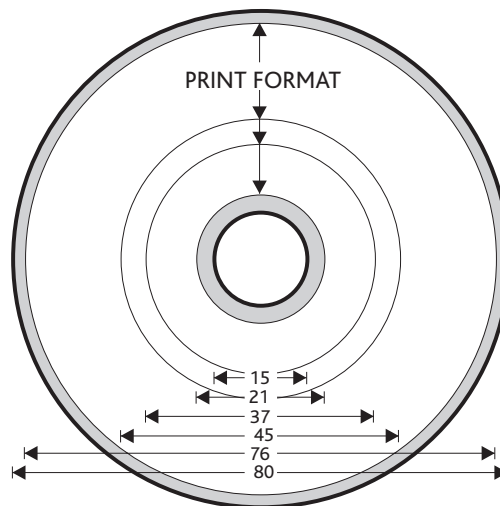


## DVD PRINT SPECIFICATION Silk-Screening, Label 8 cm



**Print format:**

Outside diameter: 76 mm

Inside diameter: 45 mm

37 mm or 21 mm (a primer printed background area is advisable if the ident-ring is to be covered).

**Trapping:**

For image and line elements, trapping of approx. 0.15 mm is necessary to compensate for register tolerance.

**Gradation:**

Smooth gradation is not possible with silk-screen printing (use dry offset).

**Colours:**

1-6 colours (standard process colours / PANTONE special colours) If a metallic effect in which reproduction of the image is not desired, a white background surface must be preprinted.

**Printing sequence:**

Special colours if desired, standard process colours C M Y K.

**Text sizes:**

Positive: min. 5 point (line weight min. 0.10 mm)

Negative: min. 6 point (line weight min. 0.15 mm)