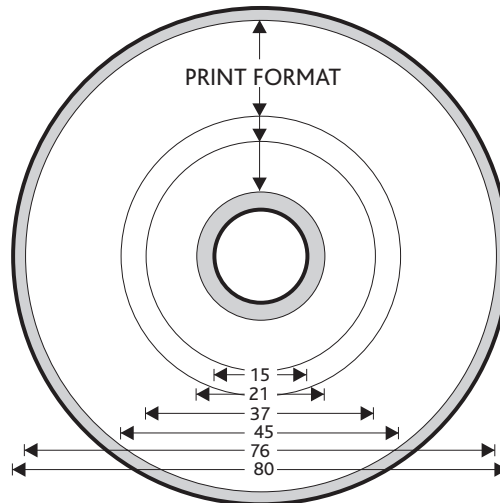


DVD™ PRINT SPECIFICATION 16: Dry Offset Printing, Label 8 cm



Print format:

Outside diameter: 76 mm

Inside diameter: 45 mm

37 mm or 21 mm (a primer printed background area is advisable if the ident-ring is to be covered).

Trapping:

For image and line elements, trapping of approx. 0.10 mm is necessary.

Text & lines:

For exclusive representation of text and line elements, special colours according to the

Elements:

PANTONE are to be used with silk-screen printing process (no C M Y K representation).

Colours:

4-6 colours (4 standard process colours and 2 PANTONE special colours) If a metallic effect in which reproduction of the image is not desired, a white background surface must be preprinted.

Printing sequence:

1st colour=silk-screen

2nd - 5th colours=dry offset (standard process colours C M Y K).

6th colour=silk-screen (if required) or varnish

Text sizes:

Positive: min. 4,5 point (line weight min. 0.08 mm)

Negative: min. 5 point (line weight min. 0.10 mm)